



European Home

J SERIES

Outdoor · Gas · Fireplace

Installation,
Operation,
and
Owner's Manual

J-60-1
J-60-ST

Gas Fireplaces

WARNING: If the information in these instructions is not followed exactly, a fire or explosion may result causing property damage, personal injury or loss of life.

-- Do not store or use gasoline or other flammable vapors and liquids in the vicinity of this or any other appliance.

WHAT TO DO IF YOU SMELL GAS

- Do not try to light any appliance.
- Do not touch any electrical switch; do not use any phone in your building.
- Immediately call your gas supplier from a neighbor's phone. Follow the gas supplier's instructions.
- If you cannot reach your gas supplier, call the fire department.



--An LP cylinder not connected for use shall not be stored in the vicinity of this or any other appliance.

Solid fuels shall not be burned in this appliance.

WARNING: Improper installation, adjustment, alteration, service or maintenance can cause injury or property damage. Read the installation, operating, and maintenance instructions thoroughly before installing or servicing this equipment.

INSTALLER:
Leave this manual with the appliance.
CONSUMER:
Retain this manual for future reference.

WARNING: FOR OUTDOOR USE ONLY

| | |
|---|---|
|  DANGER | CARBON MONOXIDE HAZARD |
|  | <p>This appliance can produce carbon monoxide which has no odor. Using it in an enclosed space can kill you. Never use this appliance in an enclosed space such as a camper, tent, car or home.</p> |



OMNI-Test Laboratories, Inc.

Report # 0284GF009S

April 2017

TABLE OF CONTENTS

| | |
|--|------------|
| Important Safety Information | 3 |
| Important Safety Information About Propane | 4 |
| Specifications and Dimensions | 5 |
| Clearances | 7 |
| Installation | 8 |
| Gas Installation | 11 |
| Operating the Fireplace | 13 |
| Maintenance | 14 |
| Parts List | 15 |
| Installation Record | 16 |
| Warranty | Appendix A |
| LP Conversion | Appendix B |

IMPORTANT SAFETY INFORMATION

Read these instructions carefully before installing or trying to operate this Vent Free decorative gas appliance.

Thank you for purchasing a **J Series Outdoor Gas Fireplace** by **European Home**. This fireplace has been designed to provide you with safe, trouble-free operation.

Please read this manual thoroughly before beginning the installation of your fireplace. It has information which is important for safe installation and operation.

Please inspect your shipment for completeness and any damage. Contact your retailer if any damage is found. Do not install your appliance with any damaged or substituted parts.

Children and adults should be alerted to the hazards of high surface temperatures and should stay away to avoid burns or clothing ignition.

Young children should be carefully supervised when they are in the area of the appliance.

Clothing or other flammable materials should not be hung from the appliance or placed on or near the appliance.

Any guard or other protective device removed for servicing the appliance shall be replaced prior to operating the appliance. Installation and repair should be done by a qualified service person.

The appliance should be inspected before use and at least annually by a qualified service person. More frequent cleaning may be required as necessary.

It is imperative that the control compartment, burners, and circulating air passageways of the appliance are kept clean.

SOLID FUELS SHALL NOT BE BURNED IN THIS APPLIANCE

Keep the appliance area clear and free from combustible materials, gasoline, and other flammable vapors and liquids.

Do not use this appliance if any part has been under water. Immediately call a qualified service technician to inspect the appliance and to replace any part of the control system and any gas control that has been under water.

IMPORTANT SAFETY INFORMATION ABOUT PROPANE (LP) GAS

This gas fireplace is equipped at the factory for use with natural gas. If conversion to propane (LP) is desired, the optional factory-supplied conversion kit must be used.

When using propane (LP), the gas supply cylinder to be used must be:

- 1) constructed and marked in accordance with the U.S. Department of Transportation (D.O.T.) Specifications for LP-Gas Cylinders, or the Standard for Cylinders, Spheres and Tubes for Transportation of Dangerous Goods and Commission, CAN/CSA-B339, as applicable,
- 2) provided with a listed overfilling prevention device, and
- 3) provided with a cylinder connection device compatible with the connection for the appliance.

Note

If a propane hose is used to connect a propane cylinder to the fireplace, the following is required:

Inspect the hose before each use of the fireplace.

The hose assembly must be replaced prior to the fireplace being put into operation if there is evidence of excessive abrasion or wear or if the hose is damaged. The replacement hose assembly must be a regulator hose with a QCC-1 connection and an outlet pressure set for 11" w.c. (2.74 kPa).

Locate the hose out of pathways where people may trip over it or in areas where the hose may be subject to accidental damage.

SPECIFICATIONS and DIMENSIONS

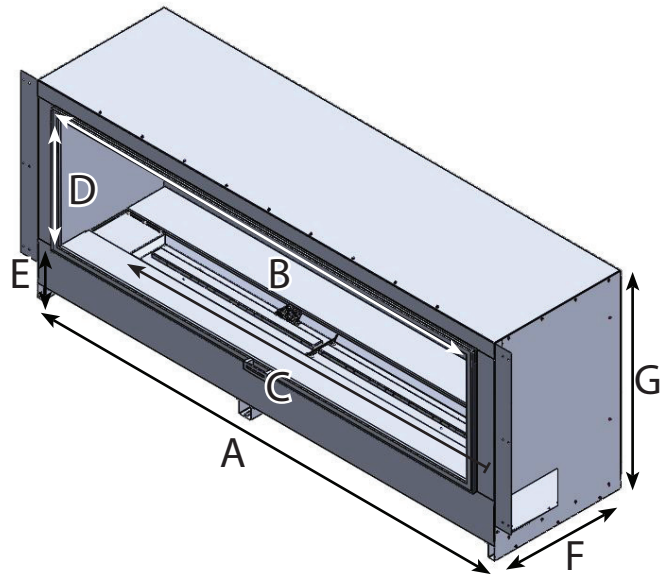
SPECIFICATIONS

| | | | |
|----------------------------|----------|------------------------|---------|
| <i>Model(s)</i> | | <i>J-60-1, J-60-ST</i> | |
| Gas | | Natural | Propane |
| Input | Btu/hr. | 76,000 | 76,000 |
| Minimum NG Supply Pressure | in. w.c. | 7" w.c. | |
| | kpa | 1.74 kPa | |
| Minimum LP Supply Pressure | in. w.c. | 11" w.c. | |
| | kpa | 2.74 kPa | |
| NG Manifold Pressure | in. w.c. | 6.3" w.c. | |
| | kpa | 1.57 kPa | |
| LP Manifold Pressure | in. w.c. | 10.4" w.c. | |
| | kpa | 2.59 kPa | |
| Electrical Rating | V DC | 1.5 | |

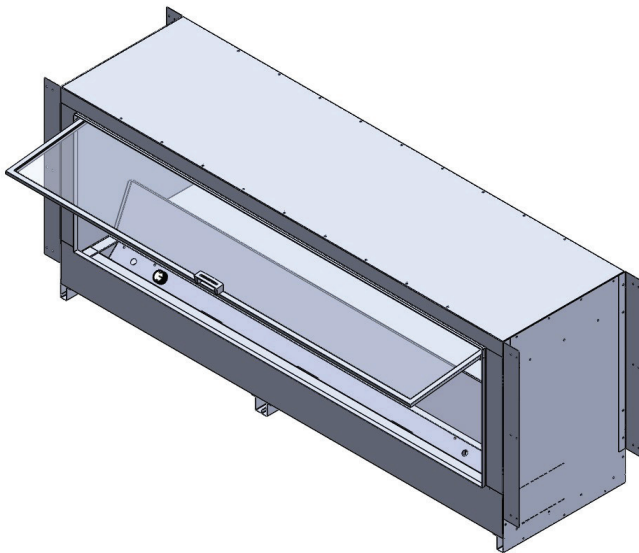
CERTIFICATION

OMNI-Test Laboratories, Inc. has certified that the **J Series Outdoor Gas Fireplace** complies with the ANSI Z21.97-2014/CSA 2.41-2014 *Outdoor Decorative Gas Appliances* standard.

SPECIFICATIONS and DIMENSIONS



Model J-60-1 shown open, above, and closed, below.



| <i>Dimension</i> | <i>J-60-1 & J-60-ST</i> |
|----------------------|-----------------------------|
| A (overall width) | 65 $\frac{1}{8}$ "* |
| B (viewable width) | 60" |
| C (burner length) | 49 $\frac{1}{4}$ " |
| D (viewable height) | 17 $\frac{1}{2}$ " |
| E (floor to opening) | 7 $\frac{1}{2}$ " |
| F (overall depth) | 18" |
| G (overall height) | 27" |

*overall width does NOT include the nailing flanges


SPECIFICATIONS and DIMENSIONS

CERTIFICATION

OMNI-Test Laboratories, Inc. has certified that the J Series Outdoor Gas Fireplace meets the following standards:

- ANSI Z21.97-2014 “Standard for Outdoor Decorative Gas Appliances”
- CSA 2.41-2014 “Standard for Outdoor Decorative Gas Appliances”
- CGA 2.17-M91 (R2009), “Gas-Fired Appliances for Use at High Altitudes”

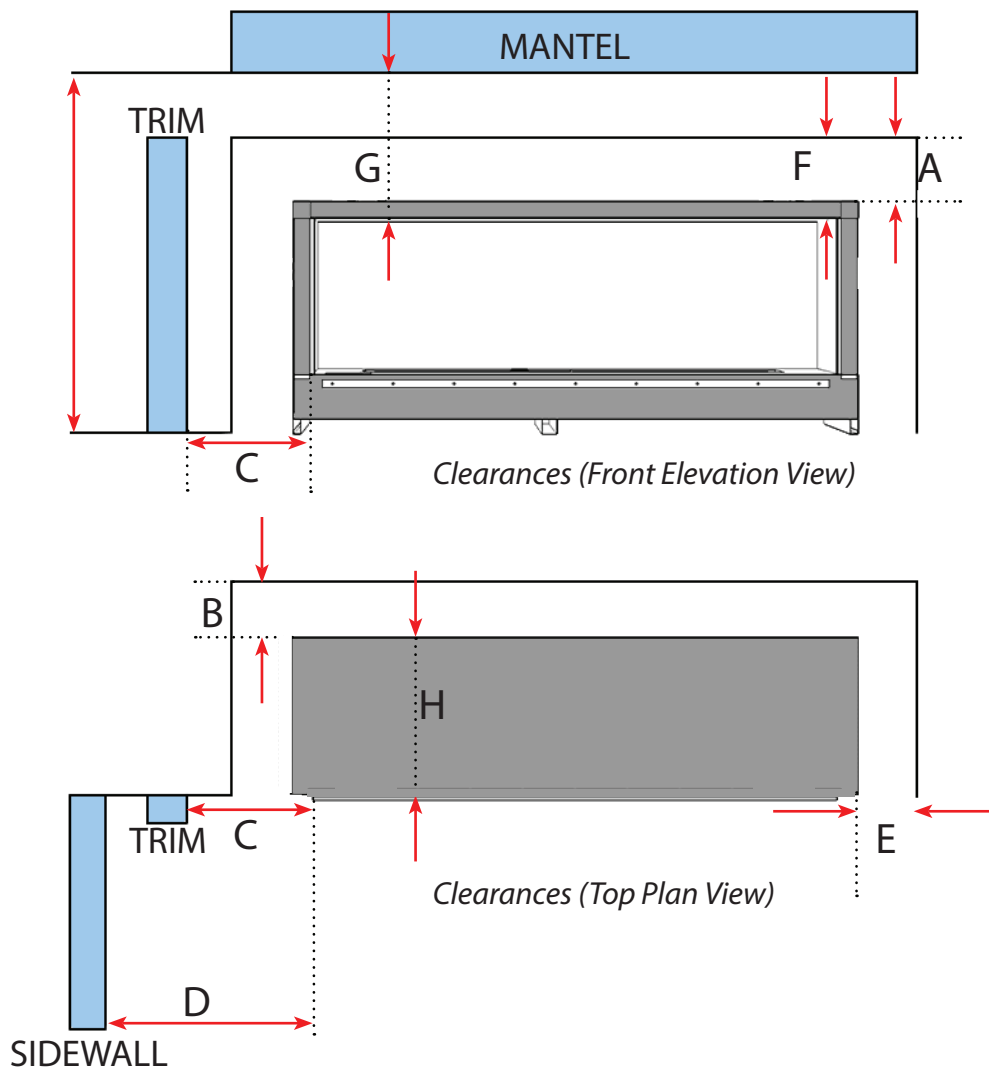
These appliances are approved for installation in the Commonwealth of Massachusetts. The Board of State Examiners of Plumbers and Gas Fitters has issued approval number G1-1115-175 for these appliances.

| J Series Outdoor Gas Fireplace | | | | | | | | | | | | | | | | | | | |
|--|---|-----------------------------------|------|---|------|---|------|---------------------------------|------|--|------|---|------|---|-------|--|-------|--------------------------|-------|
| Model: | JVF-60 <input type="checkbox"/> JVFL-60-ST <input type="checkbox"/> | | | | | | | | | | | | | | | | | | |
| Serial Number: | _____ | | | | | | | | | | | | | | | | | | |
| Input BTU/hr. (NG/LP): | 76,000 | | | | | | | | | | | | | | | | | | |
| Min. Supply Pressure (NG): | 7 inches w.c. | | | | | | | | | | | | | | | | | | |
| Manifold Pressure (NG): | 6.3 inches w.c. | | | | | | | | | | | | | | | | | | |
| Min. Supply Pressure (LP): | 11 inches w.c. | | | | | | | | | | | | | | | | | | |
| Manifold Pressure (LP): | 10.4 inches w.c. | | | | | | | | | | | | | | | | | | |
| Orifice Size (NG): | 2x#39 DMS | | | | | | | | | | | | | | | | | | |
| Orifice Size (LP): | 2x#51 DMS | | | | | | | | | | | | | | | | | | |
| Gas Control: | Manual Valve | | | | | | | | | | | | | | | | | | |
| Electrical Rating: | 1.5V DC | | | | | | | | | | | | | | | | | | |
| <p>This appliance is equipped for: <input type="checkbox"/> Natural Gas <input type="checkbox"/> Propane.</p> | | | | | | | | | | | | | | | | | | | |
| <p>CLEARANCES</p> <table border="1"> <tr><td>Top of fireplace to combustibles:</td><td>4.0"</td></tr> <tr><td>Top of fireplace opening to combustibles:</td><td>6.0"</td></tr> <tr><td>Back of fireplace to back combustible wall:</td><td>0.0"</td></tr> <tr><td>Side of fireplace to side wall:</td><td>0.0"</td></tr> <tr><td>Side of fireplace opening to combustible trim:</td><td>4.5"</td></tr> <tr><td>Fireplace opening to side wall in front of fireplace:</td><td>5.5"</td></tr> <tr><td>Top of fireplace opening to combustible mantel:</td><td>17.0"</td></tr> <tr><td>Front of fireplace to back combustible wall:</td><td>18.0"</td></tr> <tr><td>Maximum depth of mantel:</td><td>12.0"</td></tr> </table> | | Top of fireplace to combustibles: | 4.0" | Top of fireplace opening to combustibles: | 6.0" | Back of fireplace to back combustible wall: | 0.0" | Side of fireplace to side wall: | 0.0" | Side of fireplace opening to combustible trim: | 4.5" | Fireplace opening to side wall in front of fireplace: | 5.5" | Top of fireplace opening to combustible mantel: | 17.0" | Front of fireplace to back combustible wall: | 18.0" | Maximum depth of mantel: | 12.0" |
| Top of fireplace to combustibles: | 4.0" | | | | | | | | | | | | | | | | | | |
| Top of fireplace opening to combustibles: | 6.0" | | | | | | | | | | | | | | | | | | |
| Back of fireplace to back combustible wall: | 0.0" | | | | | | | | | | | | | | | | | | |
| Side of fireplace to side wall: | 0.0" | | | | | | | | | | | | | | | | | | |
| Side of fireplace opening to combustible trim: | 4.5" | | | | | | | | | | | | | | | | | | |
| Fireplace opening to side wall in front of fireplace: | 5.5" | | | | | | | | | | | | | | | | | | |
| Top of fireplace opening to combustible mantel: | 17.0" | | | | | | | | | | | | | | | | | | |
| Front of fireplace to back combustible wall: | 18.0" | | | | | | | | | | | | | | | | | | |
| Maximum depth of mantel: | 12.0" | | | | | | | | | | | | | | | | | | |
| <p>For Outdoor Use Only. For installation on (or over) Non-Combustible Floors Only</p> | | | | | | | | | | | | | | | | | | | |
| <p>DANGER CARBON MONOXIDE HAZARD</p> <p>This appliance can produce carbon monoxide which has no odor. Using it in an enclosed space can kill you. Never use this appliance in an enclosed space such as a camper, tent, car or home.</p> | | | | | | | | | | | | | | | | | | | |
| <p>LIGHTING INSTRUCTIONS</p> <ol style="list-style-type: none"> 1. Push in gas valve knob slightly and turn to "OFF" 2. Wait five (5) minutes before attempting to light the burner. 3. Push the igniter button and hold. You will hear a clicking sound. 4. Turn gas valve knob to "PILOT" position and push all the way in. The pilot should light. If so, release the igniter button. 5. If the flame does not light after 4 seconds, repeat steps 1 through 4. Continue to press the knob for 60 seconds. Release the knob and it will pop back out. 6. Turn the valve knob to the "ON" position. If the burner will not stay lit, turn the knob to "OFF" and call your service technician or gas supplier. <p>TO TURN OFF GAS</p> <ol style="list-style-type: none"> 1. Push in gas control knob slightly and turn to "OFF". | | | | | | | | | | | | | | | | | | | |
| <p>WARNING Improper installation, adjustment, alteration, service or maintenance can cause injury or property damage. Refer to the owner's information manual provided with this appliance. For assistance, or additional information, consult a qualified installer, service agency, or the gas supplier.</p> | | | | | | | | | | | | | | | | | | | |
| <p>WARNING</p> <p>Do not store or use gasoline or other flammable vapors and liquids in the vicinity of this or any other appliance.</p> <p>An LP-cylinder not connected for use shall not be stored in the vicinity of this or any other appliance.</p> | | | | | | | | | | | | | | | | | | | |
| <p>This product has been certified by OMNI-Test Laboratories to ANSI Z21.97-2014/CSA 2.41-2014 <i>Outdoor Decorative Gas Appliances</i>. This appliance must be installed in accordance with local codes, if any; if none, follow the ANSI Z223.1 standard. Installation and service must be performed by a qualified installer, service agency or the gas supplier.</p> | | | | | | | | | | | | | | | | | | | |
| <p>Tested & Listed By:  OTL Portland, Oregon, USA OMNI-Test Laboratories, Inc. Report Number: 0284GF0095</p> | | | | | | | | | | | | | | | | | | | |
| <p>manufactured by: EUROPEAN HOME 376 Washington Street Malden, MA 02148 tel: (781) 324-8383 www.europeanhome.com</p> | | | | | | | | | | | | | | | | | | | |
| <p>JVFL150707</p> | | | | | | | | | | | | | | | | | | | |

Sample Rating Label (affixed beneath the Hearth Panel)

CLEARANCES

CLEARANCES TO COMBUSTIBLES



| | | |
|---|------|--|
| A | 4" | Top of fireplace to combustibles |
| B | 0" | Back of fireplace to back combustable wall |
| C | 4.5" | Side of fireplace opening to combustible trim |
| D | 5.5" | Fireplace opening to side wall in front of fireplace |
| E | 0" | Side of fireplace to combustible side wall |
| F | 6" | Top of fireplace opening to combustibles |
| G | 17" | Top of fireplace opening to combustible mantel |
| H | 18" | Front of fireplace to back combustable wall |
| - | 12" | Maximum depth of mantel |

INSTALLATION



WHEN ENCLOSING YOUR FIREPLACE THE USE OF NON-COMBUSTIBLE BUILDING MATERIALS IS REQUIRED. PLEASE READ AND UNDERSTAND THE FOLLOWING.



COMBUSTIBLE MATERIALS

Materials that can catch fire and burn are considered combustible. Any material that is made of, or faced with, wood, wood pulp, paper, plastic or any other material that can catch fire and burn is considered combustible. Even though these materials may have been 'flame-proofed', made 'fire-resistant' or are 'fire-rated' they are considered combustible. **Standard and Type X drywall are both combustible.**

NON-COMBUSTIBLE MATERIALS

A material is said to be non-combustible when it cannot catch fire and burn. For example, materials made entirely, or in combinations, of, stone, brick, concrete, tile, steel, plaster or glass are considered non-combustible.

The table below shows a list of materials which, as of this writing, are reported by their manufacturers to be non-combustible (in accordance with the ASTM E136 standard) **AND** approved for use around fireplaces.

Skamol Skamotec® 225 and the Promat PROMAFOUR® system are preferred products for enclosing fireplaces.

| <i>Product</i> | <i>Thickness</i> |
|--|------------------------------|
| Skamol Skamotec® 225 Fireplace Building Board | 1½"/38 mm |
| Promat PROMAFOUR® System | ½"/12 mm, ⅝"/15 mm, ¾"/18 mm |
| James Hardie Building Products HardieBacker® 500 ½" Cement Board | ½"/12 mm |
| James Hardie Building Products HardieBacker® ¼" Cement Board | ¼"/6 mm |

Skamol Americas, Inc.
Toll Free: (844) 475-2665
E-mail: skamotec225@skamol.com
www.skamotec225.com

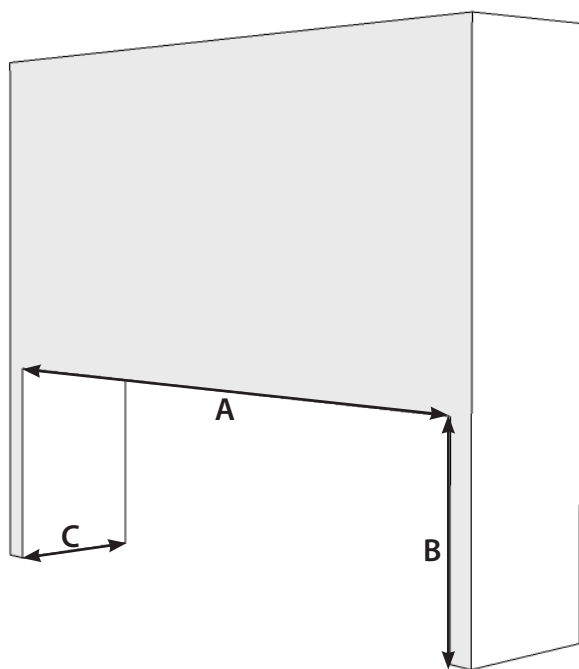
Promat Inc.
(865) 681-0155
E-mail: sales@promat.us
www.promat.co.uk

James Hardie Building Products
231 S. LaSalle St., Suite 2000
Chicago, Illinois 60604
Toll Free: (888) 542-7343
www.jameshardie.com

Since this fireplace may be installed only outdoors, it is important to select materials that are suited for outdoor conditions.

INSTALLATION

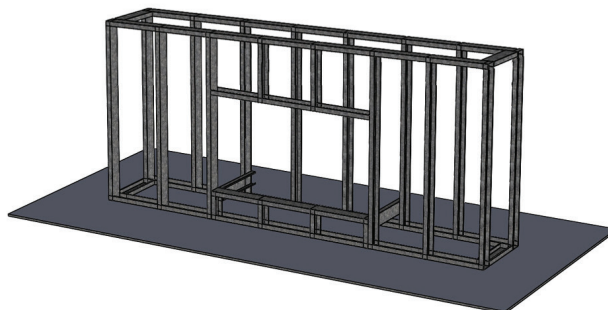
Any accumulated rain water will drain from a $\frac{7}{8}$ " opening in the center rear of the fireplace bottom. ***This opening must not be blocked.*** The water which runs through this opening will accumulate in the base of your enclosure and ***must*** be allowed to drain away from the enclosure. An appropriate length of 1½" - 2" PVC pipe installed at the base of the enclosure which would run down and out, is recommended. These openings must be checked for blockage periodically.



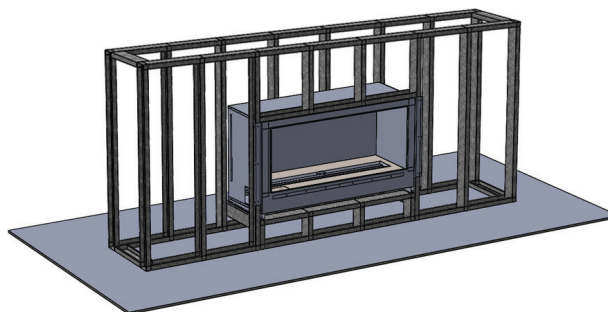
ROUGH OPENING DIMENSIONS

| Dimension | J-60-1 | J-60-ST |
|------------|--------|---------|
| A (Width) | 65½" | 70¾" |
| B (Height) | 31½" | 31½" |
| C (Depth) | 18" | 18" |

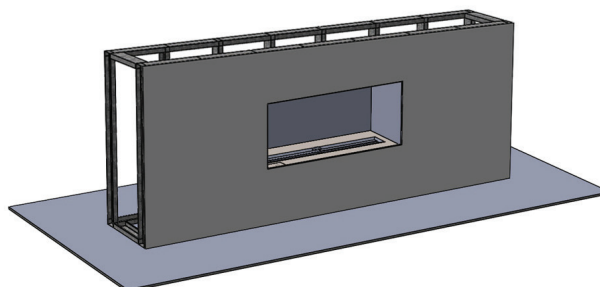
While combustible framing is permitted, metal framing is more appropriate for an outdoor enclosure. A typical installation is shown.



The fireplace is then placed in the framing.



The facing is applied to the framing.



INSTALLATION

INSTALLING THE FIRE MEDIA

The **J Series Outdoor Gas Fireplace** is shipped with fire media which must be installed on top of the burner.

The Fire Media

The contents of the bag of fire media (black crushed glass is shown, your media option may be different) should be spread to an even depth across the entire burner top. *Be certain that glass does not cover the pilot burner.*



The fire media must be installed according to these instructions. This fireplace must use only the fire media provided by European Home. An excessive amount of fire media may adversely affect the performance of the fireplace.

WARNING: All previously applied loose material must be removed prior to reapplication.

GAS INSTALLATION

Note

The **J Series Outdoor Gas Fireplace** is shipped from the factory for use with natural gas.

A kit to convert the fireplace to propane (LP) is available. The conversion must be performed by a qualified service person. Contact your local gas supplier.

This product must be installed by a licensed plumber or gasfitter.

The installation must conform with local codes or, in the absence of local codes, with the National Fuel Gas Code, ANSI Z223.1 /NFPA 54; National Fuel Gas Code; Natural Gas and Propane Installation Code, CSA B149.1; or Propane Storage and Handling Code, CSA B149.2, as applicable.

The fireplace and its individual shutoff valve must be isolated from the gas supply piping system by closing its individual manual shutoff valve during any pressure testing of the gas supply piping system at test pressures equal to or less than ½ psi (3.5 kPa).

INSTALL THE GAS SUPPLY

For the **J Series Outdoor Gas Fireplace** a 4⁵/₈" x 7" knockout on the lower left side is provided for the gas supply. Alternatively, an identical knockout is on the right side.

The gas supply piping must have a separate gas shutoff valve and a capped, 1/8" pipe tapping upstream of the valve for the purpose of reading pressure. A service shutoff valve must be placed within six feet of the fireplace gas control valve.

Verify the gas pressure using the upstream 1/8" pipe tap.

The gas supply line must terminate with a 1/2" male flare fitting.

GAS INSTALLATION

PROPANE CYLINDER ENCLOSURE

If you are planning to operate your **J Series Outdoor Gas Fireplace** using a propane cylinder, it must be placed in an enclosure that meets the following specifications:

The floor of the enclosure must be located 2 inches (50 mm) above the ground and must be non-combustible.

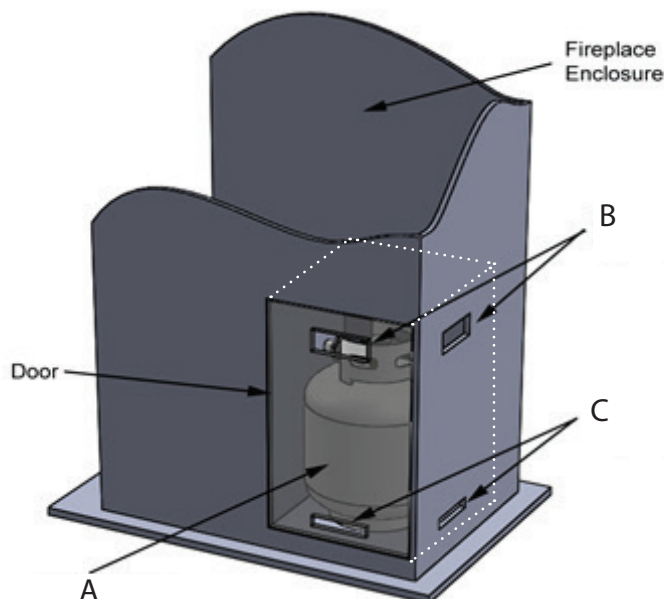
The width and the depth of the enclosure must be 13 inches (330 mm) x 13 inches (330 mm)

One side of the enclosure must be open or at least two ventilation openings must be provided in the sidewalls of the enclosure, located within 5 inches (127 mm) of the top of the enclosure, equally sized, spaced at a minimum of 90 degrees, and unobstructed. The opening(s) must have a total free area of not less than 1 square inch per lb. (14.2 cm²/kg) of stored fuel capacity.

If one side of the enclosure is to be left open, a chain located 12 inches above the floor of the enclosure must span the opening to prevent the tank from tipping. One end of the chain should be attached with a hook for easy removal of the tank.

Ventilation openings must be provided at floor level of the enclosure and must have a total free area of not less than ½ square inch per lb. (7.1 cm²/kg) of stored fuel capacity. If ventilation openings at floor level are in a sidewall, there must be at least two openings. The bottom of the openings must be 1 in (25.4 mm) or less from the floor level and the upper edge no more than 5 in. (127 mm) above the floor level. The openings must be equally sized, spaced at a minimum of 90 degrees (1.57 rad) and unobstructed. Every opening must have minimum dimensions so as to permit the entrance of a ⅛ in. (3.2 mm) diameter rod. Ventilation openings in sidewalls must not communicate directly with other enclosures of the fireplace. The propane cylinder enclosure **MUST** be isolated from the fireplace but can be part of the fireplace enclosure. See the example below.

A regulator hose with a QCC-1 connection and an outlet pressure set for 11" w.c. can be purchased at any retail outlet that offers gas grill replacement parts. All parts of the hose must remain inside the enclosure.



| A (Tank Size) | B (Upper Openings) | C (Lower Openings) |
|-----------------------|---|---|
| 20 lb. tank (9.1 kg) | 20 in ² (130 cm ²) | 10 in ² (65 cm ²) |
| 30 lb. tank (13.6 kg) | 30 in ² (195 cm ²) | 15 in ² (100 cm ²) |

Propane Cylinder Enclosure Requirements

OPERATING the FIREPLACE

FOR YOUR SAFETY READ BEFORE LIGHTING

WARNING: If you do not follow these instructions exactly, a fire or explosion may result causing property damage, personal injury or loss of life.

BEFORE LIGHTING, smell all around the heater area for gas. Be sure to smell next to the floor because some gas is heavier than air and will settle on the floor.

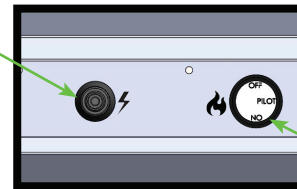
WHAT TO DO IF YOU SMELL GAS

- Do not try to light any appliance.
- Do not touch any electric switch; do not use any phone in your building.
- Immediately call your gas supplier from a neighbor's phone.
- Follow the gas supplier's instructions. If you cannot reach your gas supplier, call the fire department.

LIGHTING INSTRUCTIONS

1. Lift the front lid using the provided tool (shown below).
2. Push in gas valve knob slightly and turn to "OFF".
3. Wait five (5) minutes before attempting to light the burner.
4. Push the ignitor button and hold. You will hear a repeating clicking sound.
5. Turn gas valve knob to "PILOT" position and push all the way in. The pilot should light. If so, release the igniter button.
6. If the flame does not light after 4 seconds, repeat steps 1 through 4. Continue to press the knob for 60 seconds. Release the knob and it will pop back out.
7. Turn the valve knob to the "ON" position. If the burner will not stay lit, turn the knob to "OFF" and call your service technician or gas supplier.

Ignitor Button



Valve Knob

TO TURN OFF GAS

1. Push in gas control knob slightly and turn to "OFF".

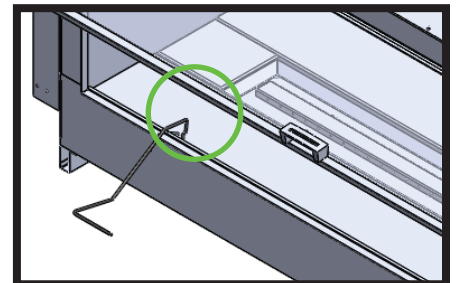
The Ignitor Button (see above) takes (1) AAA battery.

To replace the battery, unscrew Ignitor Button cap, replace battery, and screw the cap back on.

To access the controls:

1. Hook the end of the Control Access Tool under the lip of the Access Panel as shown.
2. Lift and swing back the Panel until it stops and stands in place.
3. Reverse to close Access Panel.

Store Tool in a safe place for future use.



MAINTENANCE

A qualified service agency should conduct an annual inspection and maintenance of your **J Series Outdoor Gas Fireplace** to keep it running safely. The following procedures should be performed only by a qualified service person. The gas supply should be turned off whenever a maintenance procedure is performed. All parts of the fireplace that are removed for servicing must be replaced prior to operation.

Cleaning the Media and Burner.

1. With all parts of the fireplace at room temperature, carefully remove and clean the fire media with a soft bristled brush.
2. Lift off the hearth panel and clean the surface with a brush. Remove any debris from the area under the hearth panel.
3. Clean the pilot shield with a vacuum cleaner.

Cleaning the Stainless Steel.

1. With all parts of the fireplace at room temperature, carefully remove the hearth panel.
2. Using a high-quality stainless steel cleaner, be sure to softly clean **WITH** the grain.

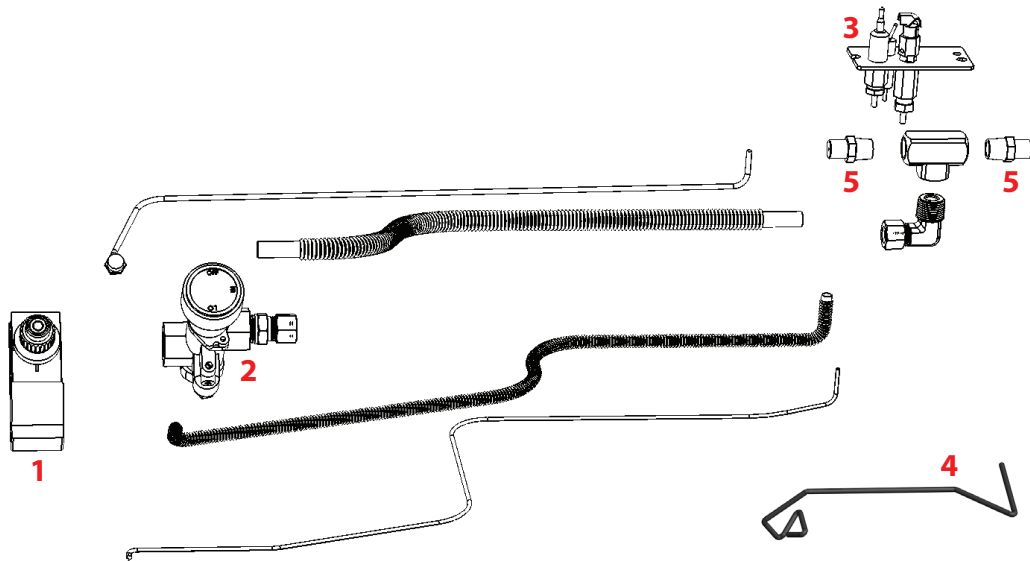
The flames should look like the picture below.

The burner must be replaced prior to the appliance being put into operation if it is evident that the burner is damaged. The replacement burner shall be specified by the manufacturer.

Installation and repair should be done by a qualified service person. The appliance should be inspected before use and at least annually by a qualified service person. More frequent cleaning may be required as necessary. It is imperative that the control compartments, burners, and circulating-air passageways of the appliance are kept clean.



PARTS LIST



J SERIES OUTDOOR GAS FIREPLACE PARTS LIST

| | <i>Part Description</i> | <i>Part Number</i> |
|---|--|--------------------|
| 1 | Manual Spark Ignition (uses 1 AAA battery) | REPL-JVF-GS-IGN-01 |
| 2 | Gas Valve | REPL-JVF-GS-GV-01 |
| 3 | Pilot Assembly | REPL-JVF-GS-PA-01 |
| 4 | Cover Access Tool | REPL-JVF-CP-JCT-01 |
| 5 | NG Burner Orifice | REPL-GS-OR-39 |

For replacement parts and customer service,
please contact your local hearth products dealer.

INSTALLATION RECORD

The installer should complete the Customer Record and the Installer Record, below. This information is necessary for any contact with European Home Technical Support.

The Customer Record remains with the customer and the Installer Record is kept by the installer.

CUSTOMER RECORD

MODEL: _____

DATE of PURCHASE: _____

DEALER: _____

INSTALLER NAME: _____

FIREPLACE S/N: _____

DATE INSTALLED: _____

FUEL: _____

MEASURED AFTER INSTALLATION

INLET PRESSURE: _____

MANIFOLD PRESSURE: _____

.....
INSTALLER: Please complete and retain the installer Record, below.

INSTALLER RECORD

MODEL: _____

DATE of PURCHASE: _____

CUSTOMER: _____

INSTALLER NAME: _____

FIREPLACE S/N: _____

DATE INSTALLED: _____

FUEL: _____

MEASURED AFTER INSTALLATION

INLET PRESSURE: _____

MANIFOLD PRESSURE: _____

APPENDIX A

European Home Warranty for The J Series Outdoor Gas Fireplace

European Home warrants the gas controls and burner of the J Series Outdoor Gas Fireplace against defects in materials and workmanship for a period of TWO (2) YEAR from the date of original retail purchase. We warrant the J Series Outdoor Gas Fireplace and cover against defects in materials and workmanship for a period of FIVE (5) YEARS from the date of original retail purchase. If a defect exists, European Home will, at its option, either (1) provide needed components using new or refurbished replacement parts or (2) exchange the product with one which is new or which has been manufactured from new or serviceable used parts and is at least functionally equivalent to the original product. A replacement product/part assumes the remaining warranty of the original product or ninety (90) days from the date of replacement or repair, whichever provides longer coverage for you. When a product or part is exchanged, any replacement item becomes your property and the replaced item becomes the property of European Home. All warranty claims must be submitted through the dealer from which you purchased the product. Check with your dealer in advance for any costs to you when arranging a warranty call. Shipping and/or delivery charges for parts are not covered by this warranty.

Nothing in the above shall be deemed to imply that this warranty shall apply to work which has been abused, or neglected or shows evidence of changes or modifications by others with or without permit, damages caused by the acts of God, building settlement or moving, fire or vandalism. In addition, installation of this product that varies from the requirements stated in the instruction manual will void the warranty.

European Home is a division of Europa Ja, Inc.

APPENDIX B

LP (PROPANE) CONVERSION


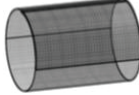
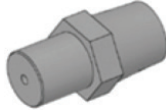
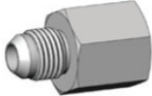
Applicable Models:

J-60-1
J-60-ST

WARNING

This conversion kit shall be installed by a qualified service agency in accordance with the manufacturer's instructions and all applicable codes and requirements of the Authority having jurisdiction. If the information in these instructions is not followed exactly, a fire, explosion or production of carbon monoxide may result causing property damage, personal injury or loss of life. The qualified service agency is responsible for the proper installation of this kit. The installation is not proper and complete until the operation of the converted appliance is checked as specified in the manufacturer's instructions supplied with the kit.

The *JVF-SA-LPCK* kit contains the following items:

| PART NUMBER | DESCRIPTION | QTY. | |
|------------------------------|--|------|---|
| JVF-GS-REG/HOSE-02SPIS | J-Series LP Regulator, 36" hose, 3/8" female fitting | 1 |  |
| JVF-GS-SPIS | Spider Screen for J-Series LP conversion | 2 |  |
| JVF-GS-OR-51 | #51 Orifice for J-Series LP conversion | |  |
| JVF-GS-GL-FF | J-Series Gas Line Flare Fitting for LP conversion | 1 | |
| JVF-DL-CL-01-EN | JVF LP Conversion Label - English | 1 | |
| J-Series LP Conversion Guide | Instructions for J-Series LP conversion | 1 |  |

This kit is to be used to convert the J-60-1 and J-60-ST models from natural gas to propane. **It is not to be used to convert any other models.**

The conversion must be performed only by a qualified service person or agency.

If the fireplace or burner has been connected to natural gas, contact your local gas supplier to have the natural gas supply disconnected and removed.

The maximum and minimum inlet supply pressure is controlled by the regulator. It is set at a supply pressure of 11 inches water column.

The manifold pressure cannot be adjusted. It should be 10.3 inches water column. The propane input is rated at 76,000 Btu/hr.

For installations above 2000 feet elevation, check with local authorities or your propane supplier for proper deration.

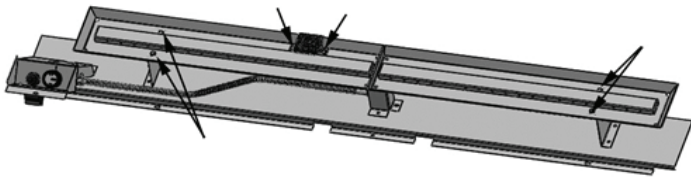
APPENDIX B

STOP! THIS CONVERSION MUST ONLY BE PERFORMED BY A QUALIFIED SERVICE AGENCY OR PERSON

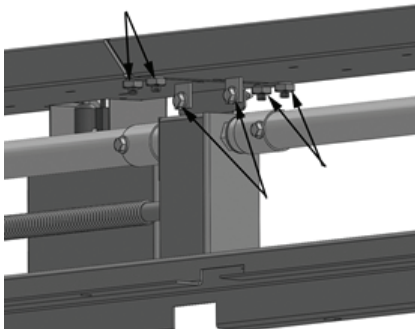
1. Remove any burner media and the hearth panel from the fireplace.

2. Remove the six $\frac{3}{8}$ " nuts from the burner base and one #10 screw from the control panel and remove the burner assembly.

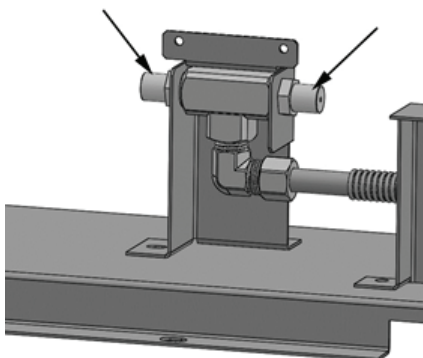
3. Remove the six #10 screw from the burners. Remove the perforated pilot shield from the left burner.



4. Remove four $\frac{3}{8}$ " nuts and two #8 screws from the burners and remove the burners.

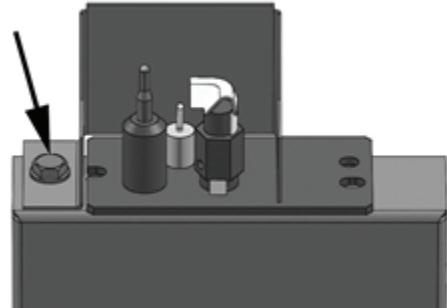


5. Remove the two natural gas orifices and replace with the two propane orifices.

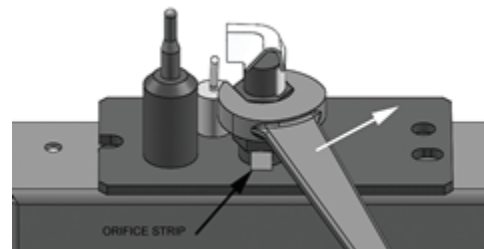


J Series Outdoor Gas Fireplace

6. Remove the Pilot Back Shield from the Pilot Tower.



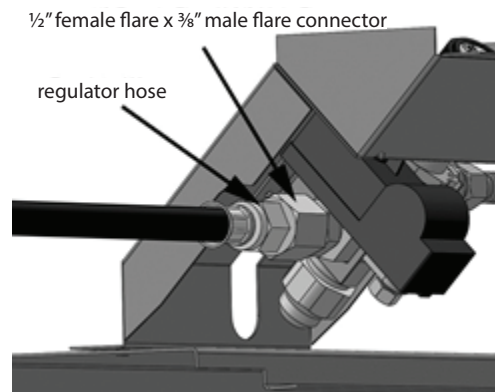
7. To convert the Pilot from natural gas to propane, turn the pilot barrel $\frac{1}{4}$ turn counter clockwise with a $\frac{7}{16}$ " wrench. Take care not to damage the metal orifice strip.



8. Slide the orifice strip so that LP is showing and tighten the pilot barrel.

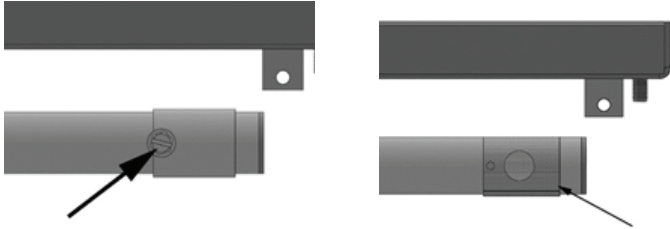


9. Install the $\frac{1}{2}$ " female flare x $\frac{3}{8}$ " male flare connector and the regulator hose on the valve inlet and tighten.



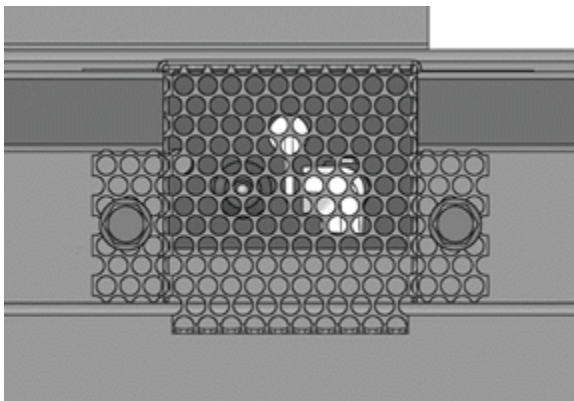
APPENDIX B

10. Remove the #8 screws and air shutters from the burner inlet tubes.



11. Slide the Spider Screen over the burner inlet tubes so that it covers the air inlet holes and screw holes.

12. Replace the Pilot Shields and install the burners using the same fasteners. The assembled burner should have the same relationship as shown below.



13. Before installing the burner base back into the fireplace the burner must be connected to a propane supply cylinder and leak tested. Open the propane supply cylinder and apply a leak test solution to the Regulator/Hose and the 1/2" Female Flare x 3/8" Male Flare fittings. The leak test solution can be made by adding 1 teaspoon dishwashing liquid to 1/2 cup of tap water. If bubbles appear, shut the propane cylinder valve and tighten the connection. When there are no leaks at the valve inlet, light the burner and apply the leak test solution to the orifice fittings and the corrugated manifold tube.

14. Fill out the information on the conversion label and attach it to the burner base to the right of the control panel. Place the burner base back in the fireplace and attach it using the same fasteners. Replace the hearth panel and burner media.

15. Connect the Regulator/Hose to the propane cylinder and verify that the burner lights and performs properly, as shown below.



Designed and manufactured in the United States by:



EuropeanHome

a division of Europa Ja, Inc.
30 Log Bridge Road
Building 300 - Suite 303
Middleton, MA 01949
www.europeanhome.com