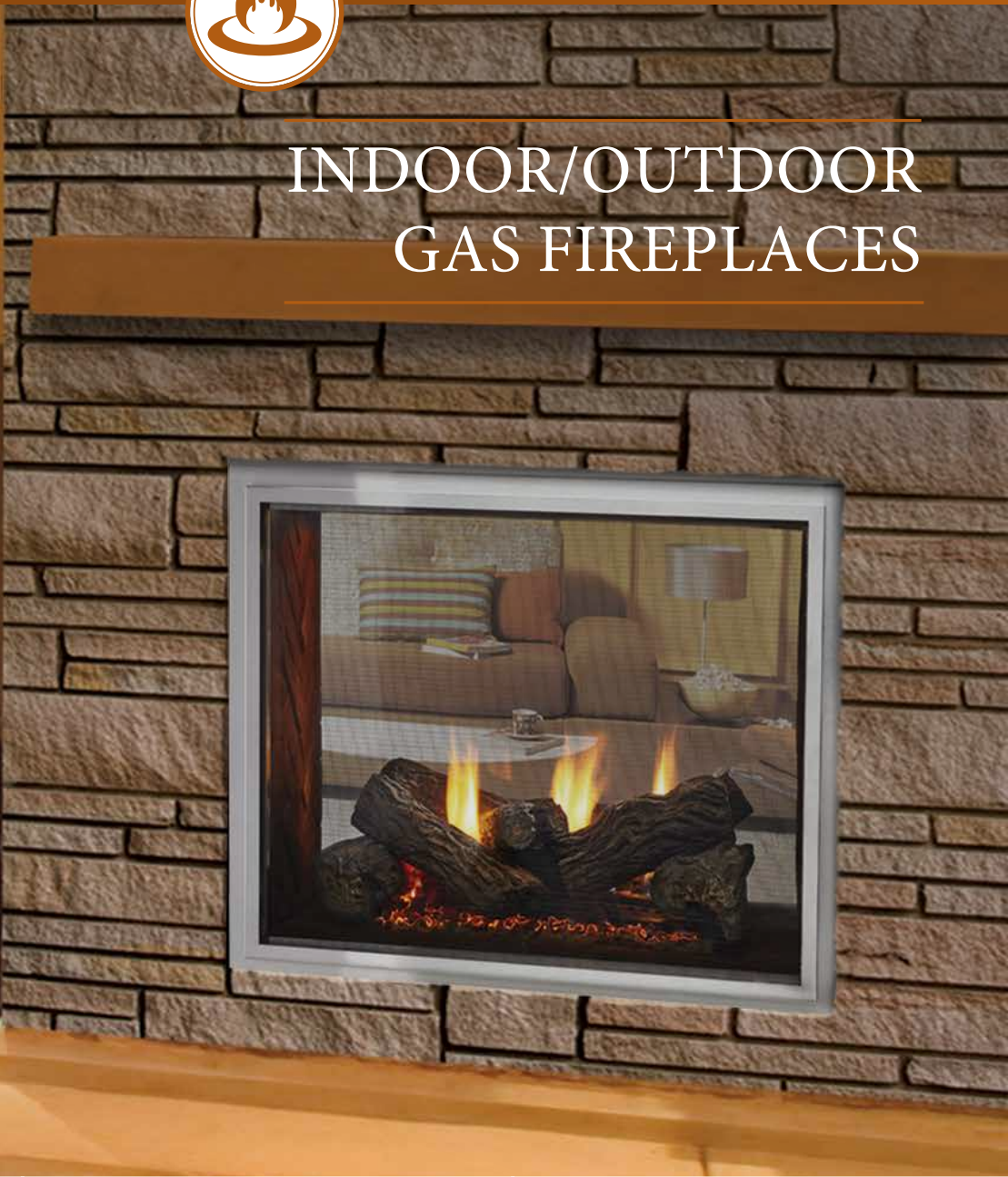




# INDOOR/OUTDOOR GAS FIREPLACES



# INDOOR/OUTDOOR GAS FIREPLACES

## MEZZANINE

### INDOOR/OUTDOOR LINEAR GAS FIREPLACE

Enjoy the view from inside and outside your home with this unique fireplace. The Mezzanine gas fireplace boasts beautiful linear style and accent lights that shine through the crushed glass firebed. Customize the look with options like black glass interior, stones and trim finishing options making the Mezzanine linear fireplace the ultimate in luxury design.

- Lights shine through the crushed glass firebed and can be used when the fireplace is off
- IntelliFire™ Touch ignition system monitors ignition and ensures safe functioning
- IntelliFire Touch touchscreen remote control
- 316 marine grade stainless steel exterior is rust-resistant even in the harshest conditions

#### Optional features

- Reflective black glass interior
- Realistic stones
- Interior glass media



Mezzanine (indoor side) shown with black front, reflective black glass interior, crystal glass media and stones

#### Reflective Black Glass Interior



#### Stones



#### Glass Media Options



Crystal (standard)



Ebony



Amber



Cobalt



Scarlet

#### Interior Front Options



Clean face trim



Black front



Mezzanine (outdoor side) shown with reflective black glass interior, crystal glass media and stones

## FORTRESS

### INDOOR/OUTDOOR GAS FIREPLACE

Seamlessly integrate your indoor and outdoor space with the Fortress see-through gas fireplace. The traditional style, expansive viewing area and authentic look fit perfectly in a variety of spaces. Non-reflective glass, accent lights and multiple interior brick options make this unique fireplace the ultimate in traditional luxury design. Enjoy the view both inside and out with the Fortress.

- Accent lighting enhances the effect of the flame and illuminates the fireplace interior. Enjoy the ambiance, with or without the fire
- 30" tall fireplace adds enjoyment to your space
- IntelliFire™ Touch ignition system monitors ignition and ensures safe functioning
- IntelliFire Touch touchscreen remote control
- 316 marine grade stainless steel exterior is rust-resistant even in the harshest conditions

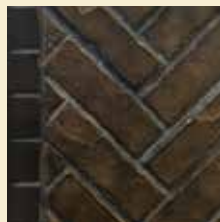


Fortress (indoor side) shown with Herringbone brick refractory

#### Interior Options



Traditional Brick



Herringbone Brick



Fortress (outdoor side) shown with Herringbone brick refractory

# INDOOR/OUTDOOR GAS FIREPLACES

## TWILIGHT MODERN INDOOR/OUTDOOR GAS FIREPLACE

The Twilight Modern is an evolution of the industry's first indoor/outdoor see-through fireplace. This Direct Vent gas unit offers impressive fireside views whether relaxing inside or enjoying the outdoors. Bolster your favorite room and upgrade your outdoor living space—let the Twilight deliver modern style, inside and out.

- Unique indoor/outdoor viewing for increased fireside views
- Artistic flames rise through a crushed glass firebed for eye-catching details
- No chimney or venting required, blending your fireplace effortlessly into your outdoor space
- IntelliFire™ Ignition System with wall switch constantly monitors ignition, ensures safe functioning
- 36" viewing area

### Optional features

- Multiple combinations of interior fronts and finishes complement your décor



Twilight Modern (Indoor Side) shown with black glass media and contemporary front in fog gray



Twilight Modern (Outdoor Side) shown with black glass media and standard exterior front



Twilight Modern firebox interior

### Interior Front Options



Interior Firescreen Front



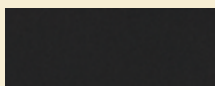
Contemporary Front

### Exterior Front Option

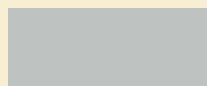


Exterior Firescreen Front

### Front Finishes



Black

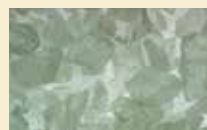


Fog Gray  
(Contemporary front only)

### Glass Media Options



Black (Standard)



Clear



Amber

## TWILIGHT II INDOOR/OUTDOOR GAS FIREPLACE

Add warmth and fireside views to two spaces—with one fireplace. The Twilight II is the world's first see-through indoor/outdoor gas fireplace. Enjoy the fire all year long from either side. An advanced design and strong construction ensures an impressive and consistent performance.

- Unique indoor/outdoor viewing for increased fireside views
- No chimney or venting required, blending your fireplace effortlessly into your outdoor space
- IntelliFire Ignition System with wall switch constantly monitors ignition, ensures safe functioning
- 36" viewing area

### Optional features

- Multiple combinations of interior fronts and finishes to complement your décor



Twilight II (Indoor Side) shown with firescreen front

### Interior Front Options



Interior Firescreen Front



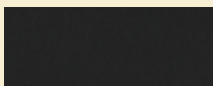
Contemporary Front

### Exterior Front Option



Exterior Firescreen Front

### Front Finishes



Black



Fog Gray  
(Contemporary front only)



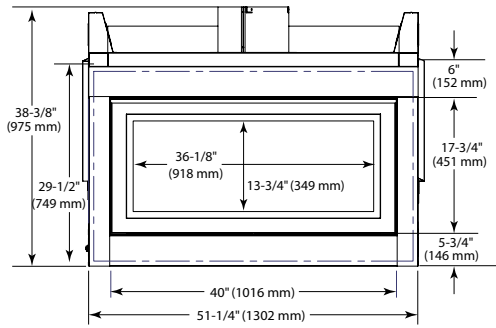
Twilight II (Outdoor Side) shown with standard exterior front

# SPECIFICATIONS

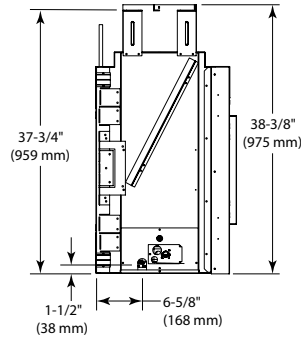
## MEZZANINE

Model	Front Width		Back Width		Height		Depth		Viewing Area	BTU/Hour Input
	Unit	Framing	Unit	Framing	Unit	Framing	Unit	Framing		
Mezzanine	51-1/4" [1302]	51-3/4" [1314]	51-1/4" [1302]	51-3/4" [1314]	38-3/8" [975]	66-1/4" [1683]	19-3/8" [493]	18-1/8" [460]	36-1/8" x 13-3/4" [918 x 349]	34,000 (NG/LP)

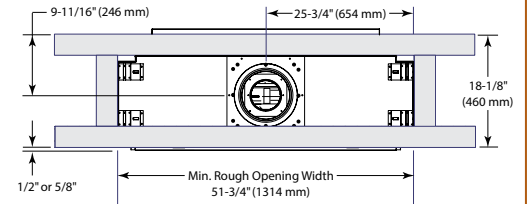
Front View



Side View



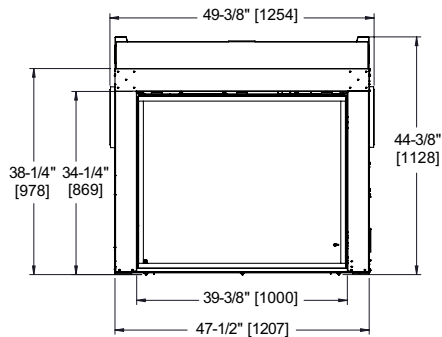
Top View



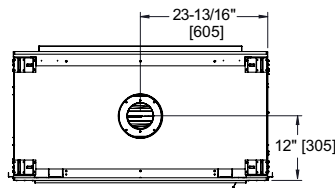
## FORTRESS

Model	Front Width		Back Width		Height		Depth		Viewing Area	BTU/Hour Input
	Unit	Framing	Unit	Framing	Unit	Framing	Unit	Framing		
Fortress	49-3/8" [1254]	49-1/2" [1257]	49-3/8" [1254]	49-1/2" [1257]	44-3/8" [1154]	44-1/2" [1130]	25-5/8" [650]	23" [584]	36" x 30" [915 x 762]	56,000 (NG/LP)

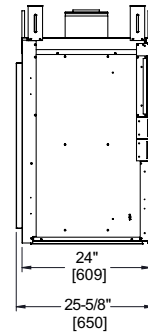
Front View



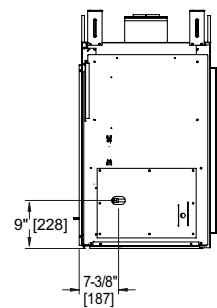
Top View



Left Side View

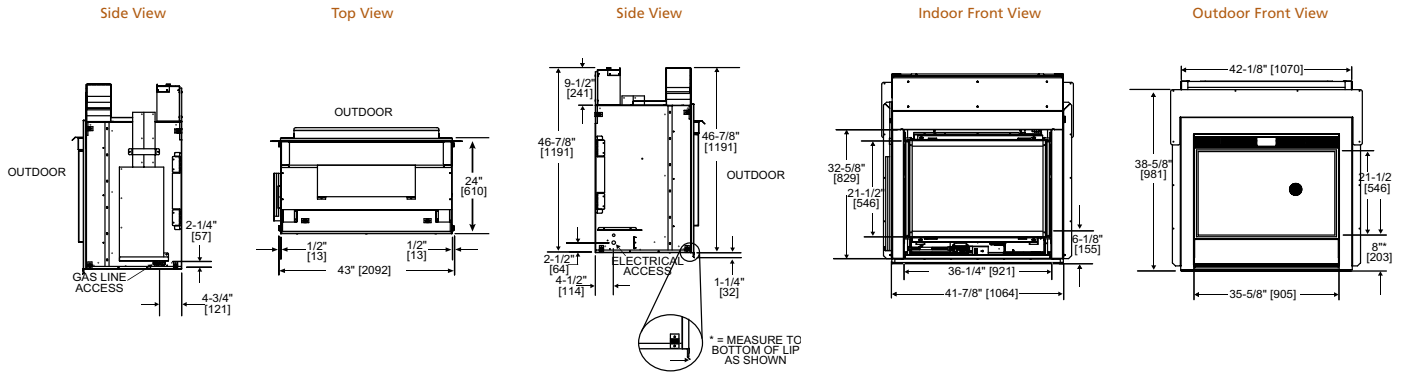


Right Side View



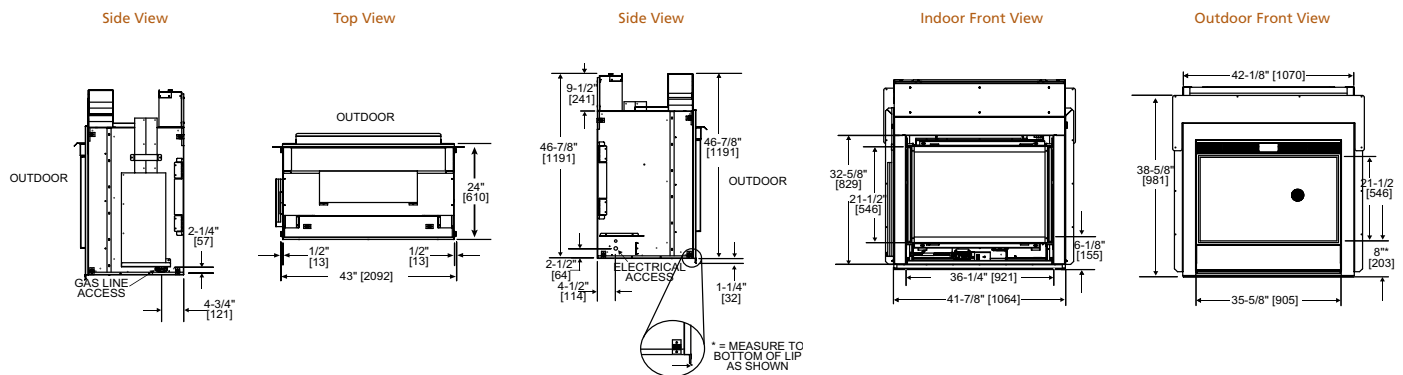
# TWILIGHT MODERN

Model	Front Width		Back Width		Height		Depth		Glass Size	BTU/hr Input
	Unit	Framing	Unit	Framing	Unit	Framing	Unit	Framing		
Twilight-II / Twilight-Mod	43" [1091]	44" [1118]	43" [1091]	44" [1118]	46-7/8" [1191]	47-5/8" [1210]	24" [609]	23" [584]	35-5/8" x 21-1/2" [905 x 546]	38,000 (NG), 36,000 (LP)



# TWILIGHT II

Model	Front Width		Back Width		Height		Depth		Glass Size	BTU/hr Input
	Unit	Framing	Unit	Framing	Unit	Framing	Unit	Framing		
Twilight-II / Twilight-Mod	43" [1091]	44" [1118]	43" [1091]	44" [1118]	46-7/8" [1191]	47-5/8" [1210]	24" [609]	23" [584]	35-5/8" x 21-1/2" [905 x 546]	38,000 (NG), 36,000 (LP)



Dimensions are in inches and millimeters. Product information is not complete and is subject to change without notice. Product installation must adhere strictly to instructions shipped with product. We recommend measuring individual units at installation. NOTE: Combustible material should not cover the face. Refer to installation manual for detailed specifications on installing this product. Hearth & Home Technologies® reserves the right to update units periodically. The flame and glass media appearance may vary based on the type of fuel burned. Actual product appearance, including flame, may differ from product images.

# INDOOR/OUTDOOR GAS FIREPLACES



For complete information and valuable assistance on these products, contact us at:

**outdoor**  
**lifestyles**  
by hearth & home technologies®

Phone: 800-927-6841  
Web: [fireplaces.com](http://fireplaces.com)

## Limited Warranty<sup>1</sup>

Hearth & Home Technologies guarantees protection for a period of one year from date of purchase.

<sup>1</sup> For full warranty details, see installation manual

The information provided in this literature is for planning purposes only and subject to change. The flame and ember appearance may vary based on the type of fuel burned and venting configuration used. Actual product appearance, including flame, may differ from product images. Please consult the MSRP book for a complete list of optional accessories. ©2016 Hearth & Home Technologies. Fireplace, stove and insert surfaces get extremely HOT and can cause severe burns if touched. Keep a safe distance away. To learn more visit [www.fireplaces.com/fireplacesafety](http://www.fireplaces.com/fireplacesafety)



HHT-1073U-1217